



HVBS-912
HVBS-912G

Metal Working Bandsaw

HVBS-912.....50000435T3~400V, 50Hz
HVBS-912G...ITA912GT3~400V, 50Hz

PARTS LIST
ERSATZTEILLISTE
LISTE DE PIECES



JPW Tool Group Hong Kong Limited

98 Granville Road, Tsimshatsui East, Kowloon, Hong Kong, PRC

www.jettools.com

Импортер в РФ: ООО «ИТА Технолоджи»

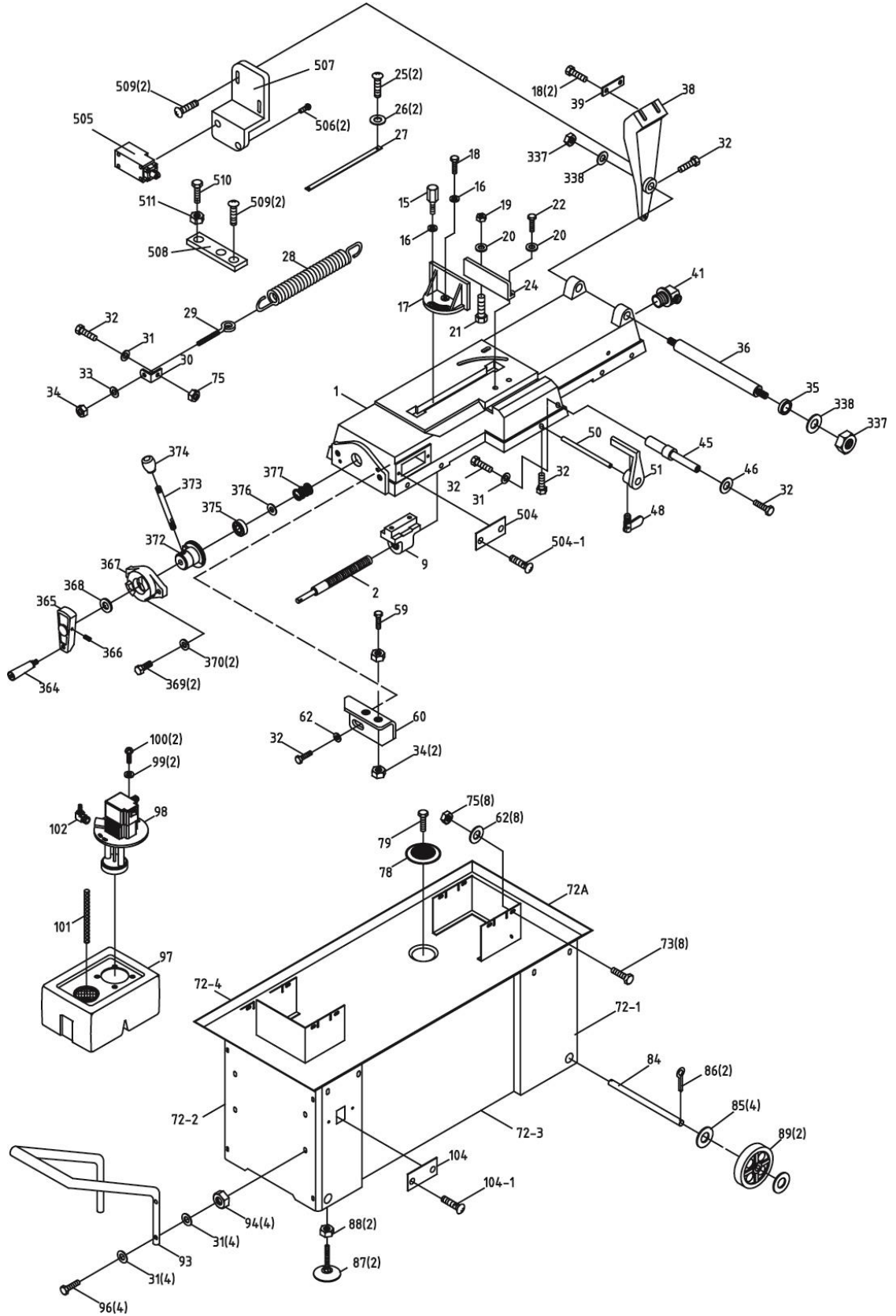
105082, Москва, Переведеновский пер., д. 17

www.jettools.ru

Made in Taiwan / Сделано на Тайване

P-50000435T / ITA912G 2022/12

Breakdown for the HVBS-912 / HVBS-912G Saw Base Assembly

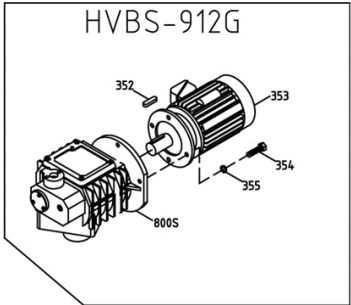
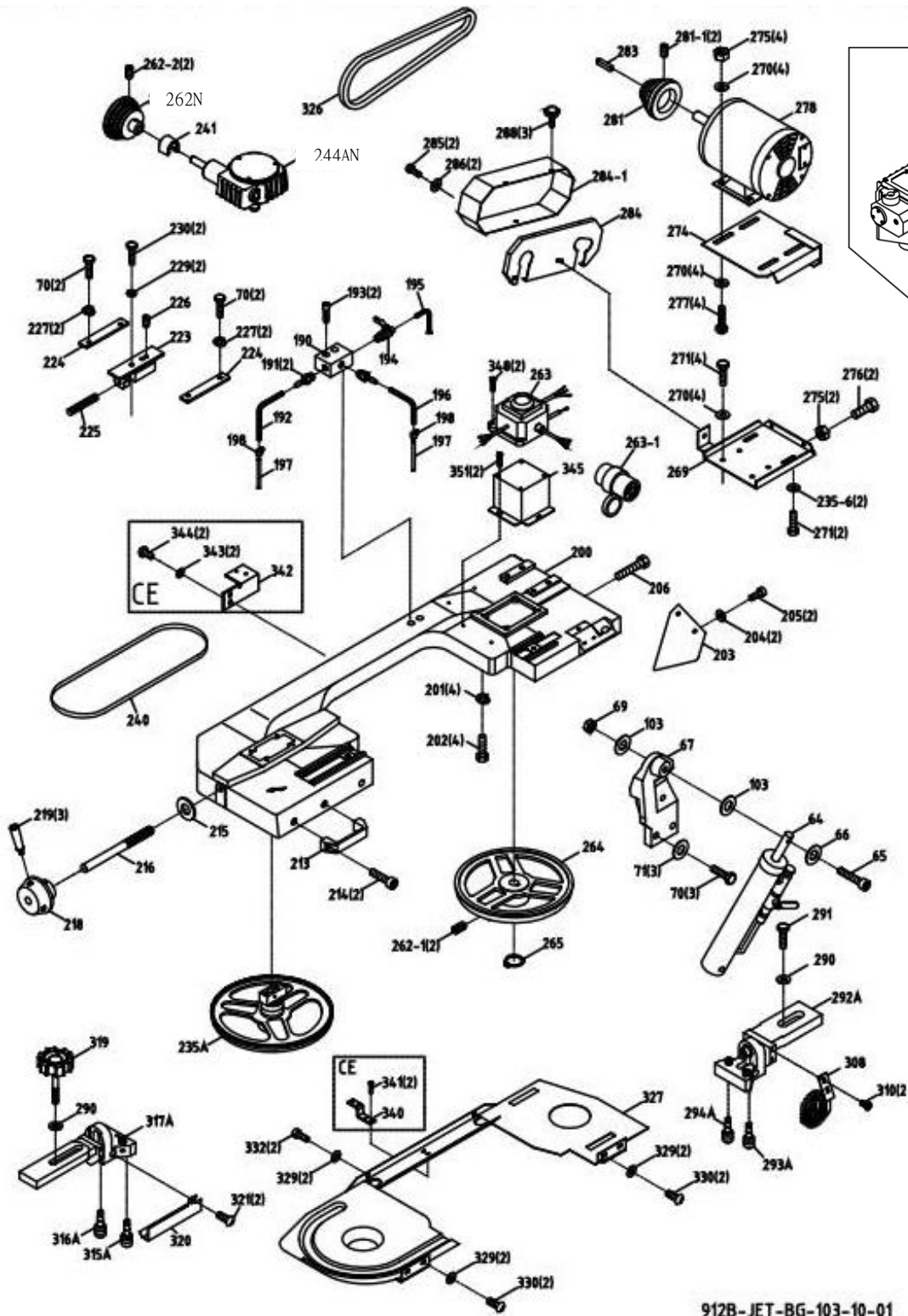


Parts List for the HVBS-912 / HVBS-912G Saw Base Assembly

Index No.	Part No.	Description	Size	Qty.
1.....	HVBS912-01.....	Swivel Base		1
2.....	HVBS912-02.....	Acme Lead Screw		1
9.....	HVBS912-09.....	Bracket.....		1
15.....	HVBS912-15.....	Fixed Bolt.....		1
16.....	TS-0680042.....	Flat Washer.....	3/8"x25xt2.....	2
17.....	HVBS-912-17.....	Vise Jaw Bracket (Front)		1
18.....	TS-0060071.....	Hex Cap Screw	3/8"x1-1/2"L.....	3
19.....	TS-0561052.....	Hex Nut.....	1/2".....	1
20.....	TS-0680061.....	Flat Washer.....	1/2"x28xt2.....	2
21.....	HVBS912-21.....	Carriage Screw	1/2"x2"L.....	1
22.....	TS-0070051.....	Hex Cap Screw	1/2"x2"L.....	1
24.....	HVBS912-24.....	Vise Jaw Bracket (Rear).....		1
25.....	HVBS912-25.....	Cross Round Head Screw	3/16"x3/8"L.....	2
26.....	TS-0680011.....	Flat Washer.....	3/16"x12xt0.8.....	2
27.....	HVBS912-27.....	Scale.....		1
28.....	HVBS912-28.....	Spring		1
29.....	HVBS912-29.....	Spring Adjusting Rod.....		1
30.....	HVBS912-30.....	Spring Handle Bracket.....		1
31.....	TS-0680031.....	Flat Washer.....	5/16"x23xt2.....	10
32.....	TS-0081031.....	Hex Cap Screw	5/16"x3/4"L.....	6
33.....	TS-0680041.....	Flat Washer.....	3/8"x23xt2.....	1
34.....	TS-0561031.....	Hex Nut.....	3/8".....	3
35.....	HVBS912-35.....	Bushing.....		1
36.....	HVBS912-36.....	Support Rod.....		1
38.....	HVBS912-38.....	Pivot Bracket.....		1
39.....	HVBS912-39.....	Plate		1
41.....	HVBS912-41.....	Wire Nipple	5/8".....	1
45.....	HVBS912-45.....	Cylinder Lower Support		1
46.....	HVBS912-46.....	Flat Washer.....	5/16"x19xt1.5.....	1
48.....	HVBS912-48.....	Thumb Screw.....		1
50.....	HVBS912-50.....	Stock Stop Rod.....		1
51.....	HVBS912-51.....	Stop Block.....		1
59.....	TS-0060081.....	Hex Cap Screw	3/8"x1-3/4"L.....	1
60.....	HVBS912-60.....	Support Plate		1
62.....	HVBS912-62.....	Flat Washer.....	5/16"x18xt1.5.....	9
72A.....	HVBS912-72A.....	Stand Complete Assembly (#72-1 thru 72-4)		1
72-1.....	HVBS912-72-1.....	Leg (Left).....		1
72-2.....	HVBS912-72-2.....	Leg (Right).....		1
72-3.....	HVBS912-72-3.....	Panel		1
72-4.....	HVBS912-72-4.....	Water Tray		1
73.....	TS-0051051.....	Hex Cap Screw	5/16"x1"L.....	8
75.....	TS-0561021.....	Hex Nut.....	5/16".....	8
78.....	HBS912-78.....	Filter.....		1
79.....	TS-0050011.....	Hex Cap Screw	1/4"-20*1/2"L.....	1
84.....	HVBS912-84.....	Wheel Rod.....		1
85.....	HVBS912-85.....	Flat Washer.....	5/8"x30xt3mm.....	4
86.....	HVBS912-86.....	Cotter Pin.....	§ 3x25L.....	2
87.....	HVBS912-87.....	Coaster of Stand	1/2".....	2
88.....	HVBS912-88.....	Hex Nut.....	1/2"-12.....	2
89.....	HVBS912-89.....	Wheel.....		2

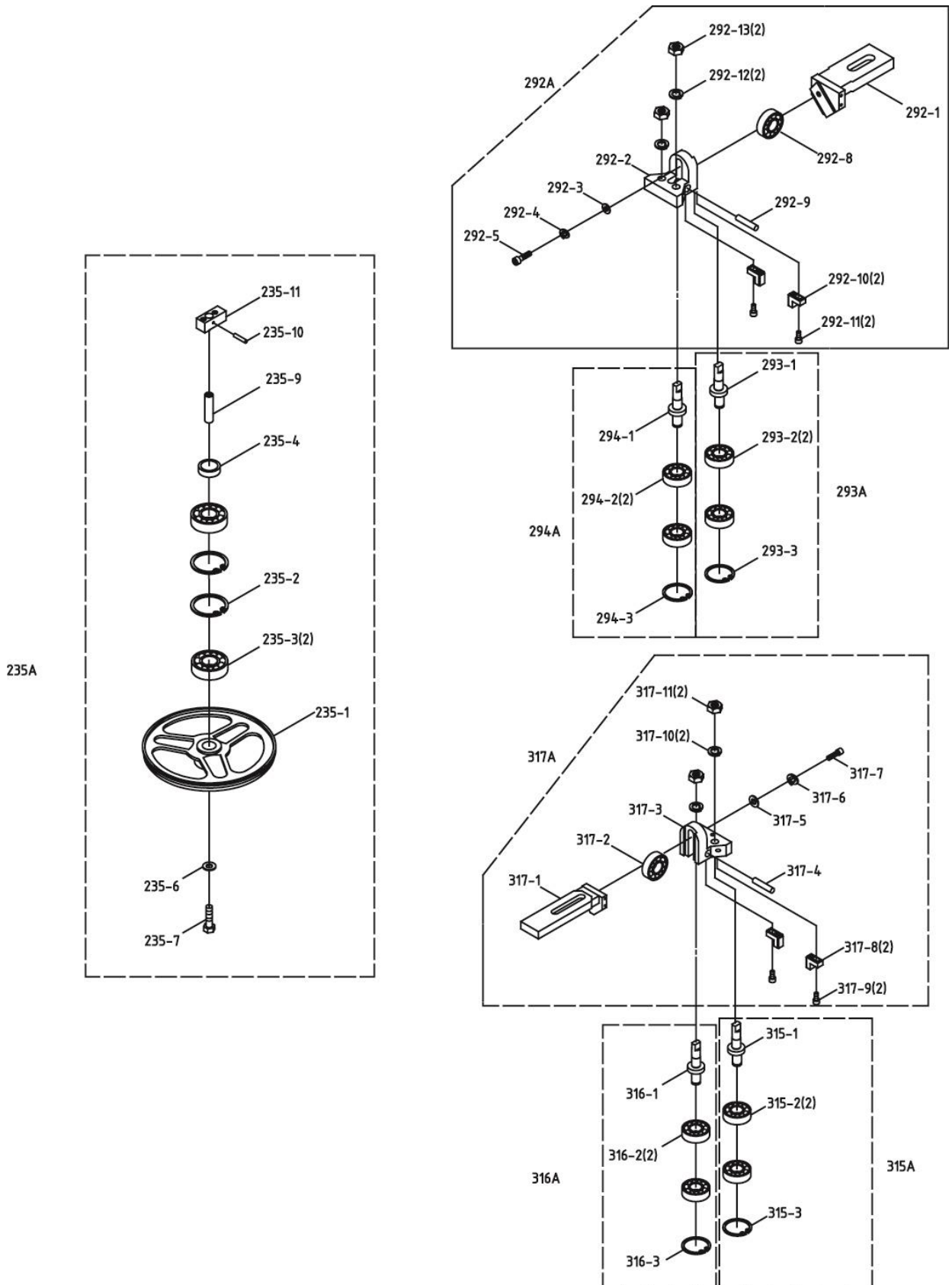
Index No.	Part No.	Description	Size	Qty.
93	HVBS912-93	Hand Rod		1
94	TS-0561021	Hex Nut	5/16"-18	4
96	TS-0051071	Hex Cap Screw	5/16"-18x1-1/2"L	4
97	HVBS912-97	Coolant Tank		1
98	HVBS712-084AE	Pump	400V, 50Hz, 3Ph	1
	HVBS912-PLE	Pump Label for CE (not shown)		1
99	TS-0680021	Flat Washer	1/4"x19xt1.5	2
100	HVBS912-100	Cross Round Head Screw	1/4"x5/8"L	2
101	HVBS912-101	Hose	5/8"x200mm	1
	HVBS912-101N	Hose	OD24xID18.5x200mm	1
102	HVBS912-102	Coupler	3/8"PTx5/16"	1
104	HVBS912-104	Plate		1
104-1	HVBS912-104-1	Cross Round Head Screw	3/16" x 10	2
337	TS-0640112	Nut	1/2"	2
338	TS-0680061	Flat Washer	1/2"x28xt2	2
364	HVBS912-364	Knob		1
365	HVBS912-365	Knob		1
366	TS-0270051	Socket Set Screw	5/16"-18X1/2"L	1
367	HVBS912-367	Bracket		1
368	TS-2360121	Flat Washer	M12xt2	1
369	TS-0060061	Hex Cap Screw	3/8"x1-1/4"L	2
370	TS-0680041	Flat Washer	3/8"x20xt2	2
372	HVBS912-372	Bracket		1
373	HVBS912-373	Shaft		1
374	HVBS912-374	Plastic Round Knob		1
375	HVBS912-375	Bearing		1
376	TS-2360121	Flat Washer	M12	1
377	HVBS912-377	Spring		1
500	HVBS912-500	Power Cable		1
501	HVBS912-501	Pump-Cable		1
502	HVBS912-502	Limit-Cable		1
503	HVBS912-503	Motor-Cable		1
504	HVBS912-104	Plate		1
504-1	HVBS912-104-1	Cross Round Head Screw	3/16" x 10	2
505	HVBS912-505	Limit Switch		1
506	HVBS912-506	Pan Head Screw	M4 x 25	2
507	HVBS912-507	Bracket		1
508	HVBS912-508	Stop Plate		1
509	HVBS912-509	Cross Round Head Screw	3/16" x 10	4
510	HVBS912-510	Hex Cap Screw	5/16" x 1-1/4"	1
511	HVBS912-511	Hex Nut	5/16"	1
**	HVBS912-JL	Jet Logo (not shown)		1
**	HVBS912-IDE	ID Label for CE (not shown)		1
**	HVBS912-IDGE	ID Label for CE (not shown)		1
**	HVBS912-GL	Ground Label (not shown)		1
**	601W-05L003	Warning Label for Saw (not shown)		1
**	601W-05L005	Warning Label for Glasses (not shown)		1

Breakdown for the HVBS-912 / HVBS-912G Saw Head Assembly



912B-JET-BG-103-10-01

Breakdown for the HVBS-912 / HVBS-912G Saw Bearing Bracket Assembly



Parts List for the HVBS-912 / HVBS-912G Saw Head Assembly

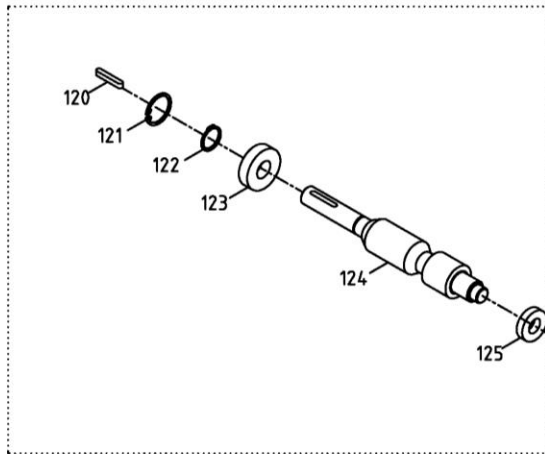
Index No.	Part No.	Description	Size	Qty.
64	HVBS912-64	Cylinder Complete Set	RF-712N	1
65	TS-0209102	Socket Head Cap Screw	3/8"x2-1/4"L	1
66	TS-0680041	Flat Washer	3/8"x25xt2	1
67	HVBS912-67	Pivot Arm		1
69	TS-0561031	Hex Nut	3/8"	1
70	TS-0051051	Hex Cap Screw	5/16"x1"L	7
71	TS-0680031	Flat Washer	5/16"x18xt1.5	3
103	HVBS912-103	Flat Washer	3/8"x20xt2	2
190	HVBS912-190	3 Way Valve		1
191	HVBS912-191	Tube Clamp	1/4PTx1/4"	2
192	HVBS912-192	Hose	8 x 6 x 1100(1/4")	1
193	TS-0207072	Socket Head Screw	1/4"x1-1/4"L	2
194	HVBS912-194	Valve	1/4"PTx5/16"	1
195	HVBS912-195	Hose	12 x 8 x 1400(5/16")	1
196	HVBS912-196	Hose	8 x 6 x 400(1/4")	1
197	HVBS912-197	Hose Bib		2
198	HVBS912-198	Hose Clamp		2
200	HVBS912-200	Bow		1
	HVBS912-200N	Bow (For HVBS-912 new gear box #14110531 and higher)		1
201	TS-0720091	Spring Washer	3/8"	4
202	TS-0060061	Hex Cap Screw	3/8"x1-1/4"L	4
203	HVBS912-203	Plate		1
204	TS-0680021	Flat Washer	1/4"x16xt1.5	2
205	HVBS912-205	Cross Socket Hex Cap Screw	1/4"x5/8"L	2
213	HVBS912-213	Knob		1
214	TS-0208061	Socket Head Cap Screw	5/16"x1"L	2
215	HVBS912-215	Flat Washer	3/8"x25xt2	1
216	HVBS912-216	Blade Tension Bar		1
218	HVBS912-218	Handle Body		1
219	HVBS912-219	Handle		3
223	HVBS912-223	Blade Tension Sliding Block		1
224	HVBS912-224	Sliding Plate		2
225	HVBS912-225	Spring		1
226	TS-0270071	Socket Set Screw	5/16"x3/4"L	1
227	TS-0720081	Spring Washer	5/16"	4
229	TS-0680031	Flat Washer	5/16"x12xt2	2
230	TS-0051071	Hex Cap Screw	5/16"x1-1/2"L	2
235A	HVBS912-235A	Idler Wheel Assembly (#235-1 ~ #235-11)		1
235-1	HVBS912-235-1	Idler Wheel		1
235-2	HVBS912-235-2	C-Retainer Ring	R52	2
235-3	HVBS912-235-3	Bearing	6205LLU	2
235-4	HVBS912-235-4	Bushing		1
235-6	TS-0680031	Flat Washer	5/16"x20xt3	2
235-7	TS-0051081	Hex Cap Screw	5/16"x3/4"L	1
235-9	HVBS912-235-9	Blade Wheel Shaft		1
235-10	HVBS912-235-10	Pin	φ 5x34L	1
235-11	HVBS912-235-11	Sliding Plate Draw Block		1
240	HVBS912-240	Blade (5-8T)	27x0.9x2655	1

Index No.	Part No.	Description	Size	Qty.
263	HVBS912-263AE	Switchbox complete with cables	400V,50Hz,3Ph	1
263-1	HVBS912-263-1	Plug	400V, 5Pin	1
264	HVBS912-264	Drive Wheel		1
265	HVBS912-265	C-Retainer Ring	S25	1
269	HVBS912-269	Motor Mount Bracket		1
270	TS-0680031	Flat Washer	5/16"x23xt2	12
271	TS-0081031	Hex Cap Screw	5/16"x3/4"L	6
274	HVBS912-274	Motor Mount Plate		1
275	TS-0561021	Hex Nut	5/16"	6
276	TS-0081051	Hex Cap Screw	5/16"x1"L	2
277	TS-0152011	Carriage Screw	5/16"x1"L	4
278	HVBS912-278AE	Motor		1
281	HVBS912-281	Motor Pulley		1
	HVBS912-281N	Motor Pulley (#14110531 and higher)		1
281-1	TS-0267041	Socket Set Screw	1/4"x3/8"L	1
	TS-1523031	Socket Set Screw (#14110531 and higher)	M6x10L	2
283	HVBS912-283	Key	.5x5x30L	2
284	HVBS912-284	Motor Pulley Cover		1
	HVBS912-284N	Motor Pulley Down Cover (#14110531 and higher)		1
	HVBS56M-CLB/CE	Caution Label for Pulley Cover (not shown)		1
284-1	HVBS912-284-1	Motor Pulley Cover (#14110531 and higher)		1
285	TS-0050011	Hex Cap Screw	1/4" x 1/2"L	2
286	TS-0720071	Spring Washer	1/4"	2
288	HVBS912-288	Knob		1
	HVBS912-288N	Plum handle (#14110531 and higher)		3
290	TS-0680041	Flat Washer	3/8"x25xt2	2
291	TS-0060061	Hex Cap Screw	3/8"x1-1/4"L	1
292A	HVBS912-292A	Adjustable Bracket Assembly (Rear) (#292-1 ~ #292-13)		1
292-1	HVBS912-292-1	Adjustable Bracket		1
292-2	HVBS912-292-2	Blade Adjustable		1
292-3	TS-0680031	Flat Washer	5/16"x18xt1.5	1
292-4	TS-0720081	Spring Washer	5/16"	1
292-5	TS-0208071	Socket Head Cap Screw	5/16"x1-1/4"L	1
292-8	HVBS912-292-8	Bearing	608ZZ	1
292-9	HVBS912-292-9	Bearing Pin		2
292-10	HVBS912-292-10	Carbide Guide		2
292-11	TS-1503041	Socket Head Cap Screw	M6x16L	2
292-12	TS-0720091	Spring Washer	3/8"	2
292-13	TS-0561031	Hex Nut	3/8"UNF	2
293A	HBS912-293A	Guide Pivot (Rear) (#293-1 ~ #293-3)		1
293-1	HVBS912-293-1	Guide Pivot (Rear)		1
293-2	HVBS912-293-2	Bearing	608ZZ	2
293-3	HVBS912-293-3	C-Retainer Ring	S8	1
294A	HVBS912-294A	Bearing Shaft (#294-1 ~ #294-3)		1
294-1	HVBS912-294-1	Bearing Shaft		1
294-2	HVBS912-294-2	Bearing	608ZZ	2
294-3	HVBS912-294-3	C-Retainer Ring	S8	1
308	HVBS912-308	Brush Assembly		1
310	HVBS912-310	Cross Round Head Screw	3/16"x3/8"L	2
315A	HVBS912-315A	Guide Pivot (Front) (#315-1 ~ #315-3)		1
315-1	HVBS912-315-1	Guide Pivot (Front)		1
315-2	HVBS912-315-2	Bearing	608ZZ	2
315-3	HVBS912-315-3	C-Retainer Ring	S8	1
316A	HVBS912-316A	Bearing Shaft (#316-1 ~ #316-3)		1

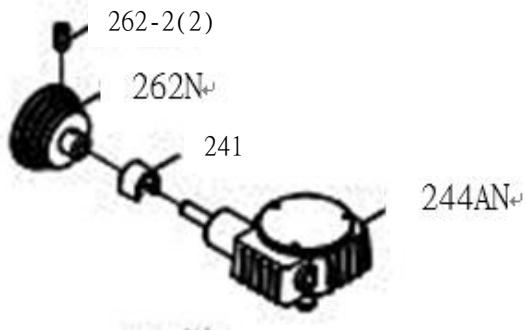
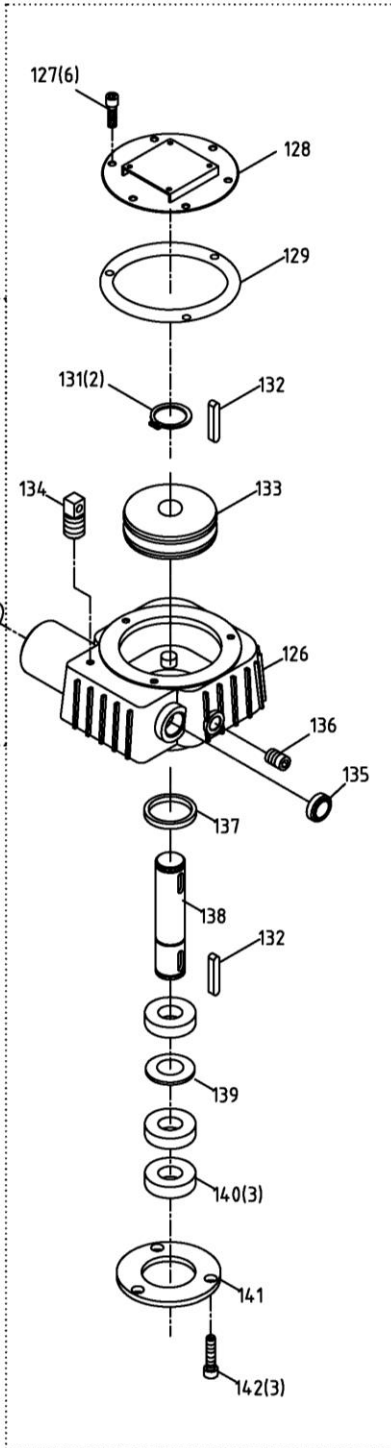
Index No.	Part No.	Description	Size	Qty.
316-1...	HVBS912-316-1.....	Bearing Shaft		1
316-2...	HVBS912-316-2.....	Bearing	608ZZ.....	2
316-3...	HVBS912-316-3.....	C-Retainer Ring	S8	1
317A ...	HVBS912-317A.....	Adjustable Bracket Assembly (Front) ((#317-1 ~ #317-11).....		1
317-1...	HVBS912-317-1.....	Adjustable Bracket (Front).....		1
317-2...	HVBS912-317-2.....	Bearing	608ZZ.....	1
317-3...	HVBS912-317-3.....	Blade Adjustable (Rear).....		1
317-4...	HVBS912-317-4.....	Bearing Pin		1
317-5...	HVBS912-317-5.....	Flat Washer.....	5/16"x18xt1.5	1
317-6...	HVBS912-317-6.....	Spring Washer	5/16".....	1
317-7...	HVBS912-317-7.....	Socket Head Cap Screw.....	5/16"x1-1/4"L.....	1
317-8...	HVBS912-317-8.....	Carbide Guide.....		2
317-9...	HVBS912-317-9.....	Socket Head Cap Screw.....	M6x16L.....	2
317-10.	HVBS912-317-10.....	Spring Washer	3/8"	2
317-11.	HVBS912-317-11.....	Hex Nut.....	3/8"UNF	2
318.....	HVBS912-318.....	Flat Washer.....	3/8"x25xt2	1
319.....	HVBS912-319.....	Knob.....		1
320.....	HVBS912-320.....	Blade Guard.....		1
321.....	HVBS912-321.....	Cross Round Head Screw	5/32"x1/4"L.....	2
326.....	HVBS912-326.....	Belt	3V-270	1
	HVBS912-326N	Belt (#14110531 and higher)	3V-280	1
327.....	HVBS912-327.....	Blade Cover		1
	HVBS56M-CLB/CE	Caution Label for Blade Back Cover (not shown)		1
327-1...	HVBS912-327-1.....	Plate.....		1
329.....	TS-0680021	Flat Washer.....	1/4"x16xt1.5	6
330.....	HBS912-330	Cross Round Head Screw	1/4"x1/2"L.....	4
332.....	HVBS912-332.....	Cross Round Head Screw	1/4" x 1/2".....	2
340.....	HVBS912-340.....	Bracket for CE Only.....		1
341.....	HVBS912-341.....	Cross Round Head Screw	M4x5L.....	2
342.....	HVBS912-342.....	Switch Base		1
343.....	TS-1550031	Flat Washer.....	M5.....	2
344.....	HVBS912-344.....	Cross Round Head Screw	M5x10L.....	2
345.....	HVBS912-345.....	Control Box Base		1
348.....	HVBS912-348.....	Cross Round Head Screw	M6x12L.....	4
351.....	TS-1503021	Socket Head Cap Screw.....	M6-1.0Px10L.....	2
352.....	HBS814GH-801	Key.....	6 x 6 x 40L.....	1
353.....	HVBS912G-353AE.....	Motor.....	1HP, 400V,50Hz,3ph	1
354.....	TS-1505041	Socket Head Cap Screw.....	M10-1.5 x 30L	4
355.....	TS-2361101	Lock Washer	M10.....	4

Breakdown for the HVBS-912 Gear Assembly New Version (#14110531 and higher)

245AN



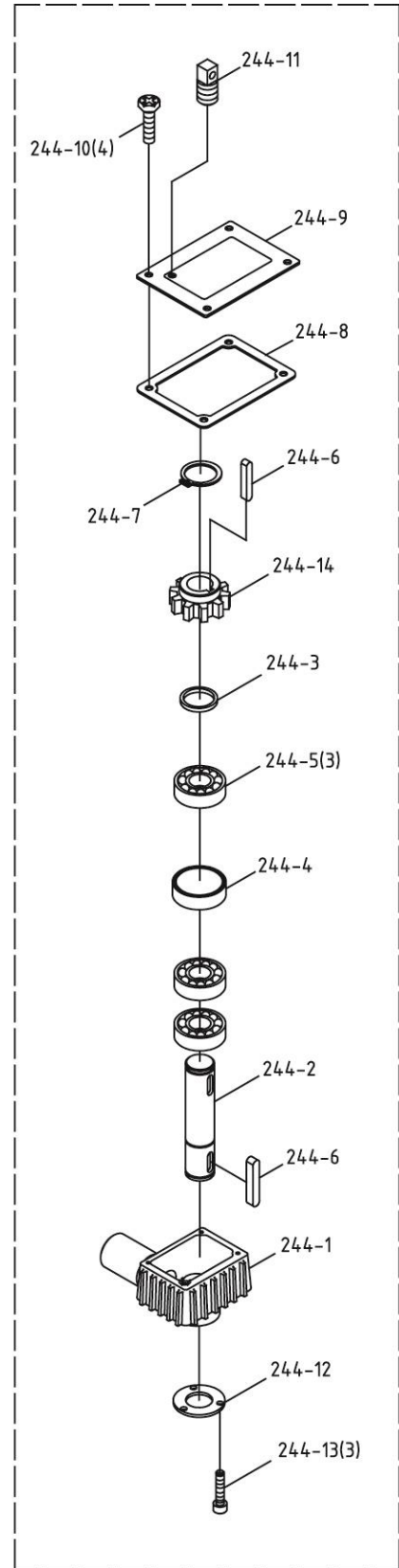
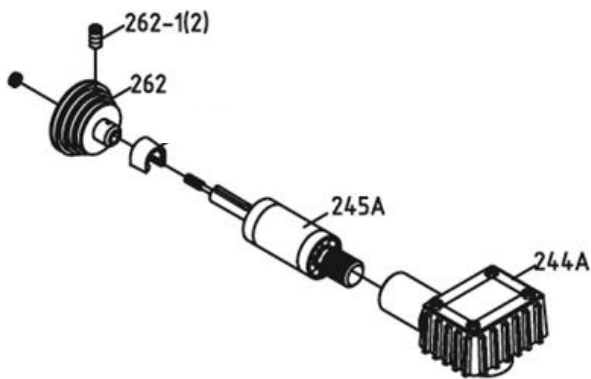
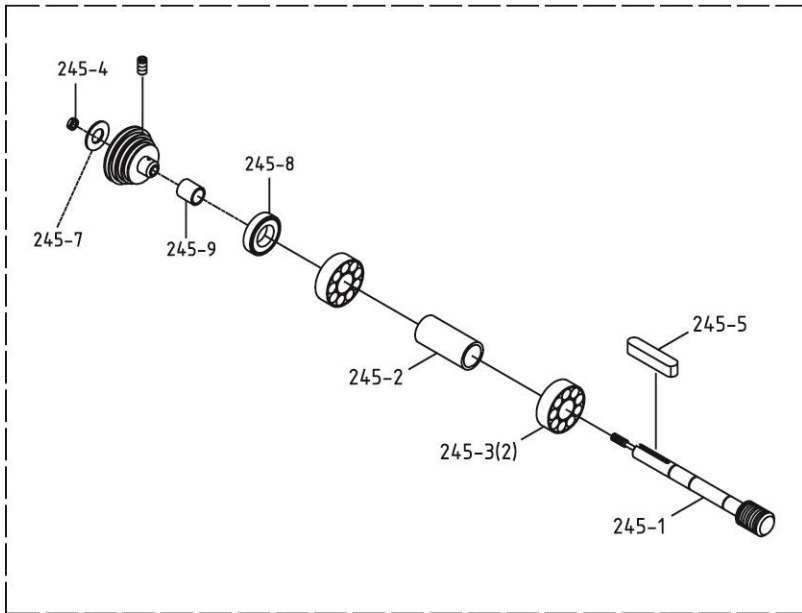
244AN



Parts list for the HVBS-912 Gear Assembly New Version (#14110531 and higher)

Index No.	Part No.	Description	Size	Qty.
244N ...	HVBS912-244N	Gear Box Assembly (Include #244AN ~ 245AN and 262N,262-2)		1
		(#14110531 and higher)		
244AN.	HVBS912-244AN	Gear Box Assembly (#126 ~ 142) (#14110531 and higher)		1
126.....	HVBS912-126	Gear Box (#14110531 and higher).....		1
127.....	HVBS912-127	Hex Cap Screw	1/4"x25mm	6
138.....	HVBS912-138	Transmission Shaft (#14110531 and higher).....		1
137.....	HVBS912-137	Bushing (#14110531 and higher).....		1
140.....	HVBS912-140	Bearing (#14110531 and higher)6205LLU		3
131.....	HVBS912-131	C-Retainer Ring(#14110531 and higher)	S25	2
132.....	HVBS912-132	Key (#14110531 and higher)	6x6x20L	2
129.....	HVBS912-129	Gear Box Gasket (#14110531 and higher).....		1
128.....	HVBS912-128	Gear Box Cover (#14110531 and higher)		1
134.....	HVBS912-134	Vent Plug (#14110531 and higher)	M8xP1	1
141.....	HVBS912-141	Bearing Cover (#14110531 and higher)		1
142.....	HVBS912-142	Cross Round Head Screw (#14110531 and higher)3/16"x3/8"L.....		3
133.....	HVBS912-133	Worm Gear (#14110531 and higher)		1
135.....	HVBS912-135	Oil Seal (#14110531 and higher)		1
136.....	HVBS912-136	Oil Plug (#14110531 and higher)	3/8"	1
139.....	HVBS912-139	Bushing (#14110531 and higher).....		1
245AN.	HVBS912-245AN	Worm Gear Shaft Assembly (#120 ~ 125).....		1
		(#14110531 and higher)		
121.....	HVBS912-121	C-Retainer Ring (#14110531 and higher)	R47	1
122.....	HVBS912-122	C-Retainer Ring (#14110531 and higher)	S20	1
123.....	HVBS912-123	Bearing (#14110531 and higher)	6204LLU	1
124.....	HVBS912-124	Worm Shaft (#14110531 and higher)		1
125.....	HVBS912-125	Bearing (#14110531 and higher)	6003LLU	1
120.....	HVBS912-120	Key (#14110531 and higher)	6x6x40L	1
241.....	HVBS912-241	Cover		1
262N ...	HVBS912-262N	Spindle Pulley (#14110531 and higher)		1
262-2...	TS-1523031	Socket Set Screw (#14110531 and higher)	M6x10L	2

Breakdown for the HVBS-912 Gear Assembly Old Version

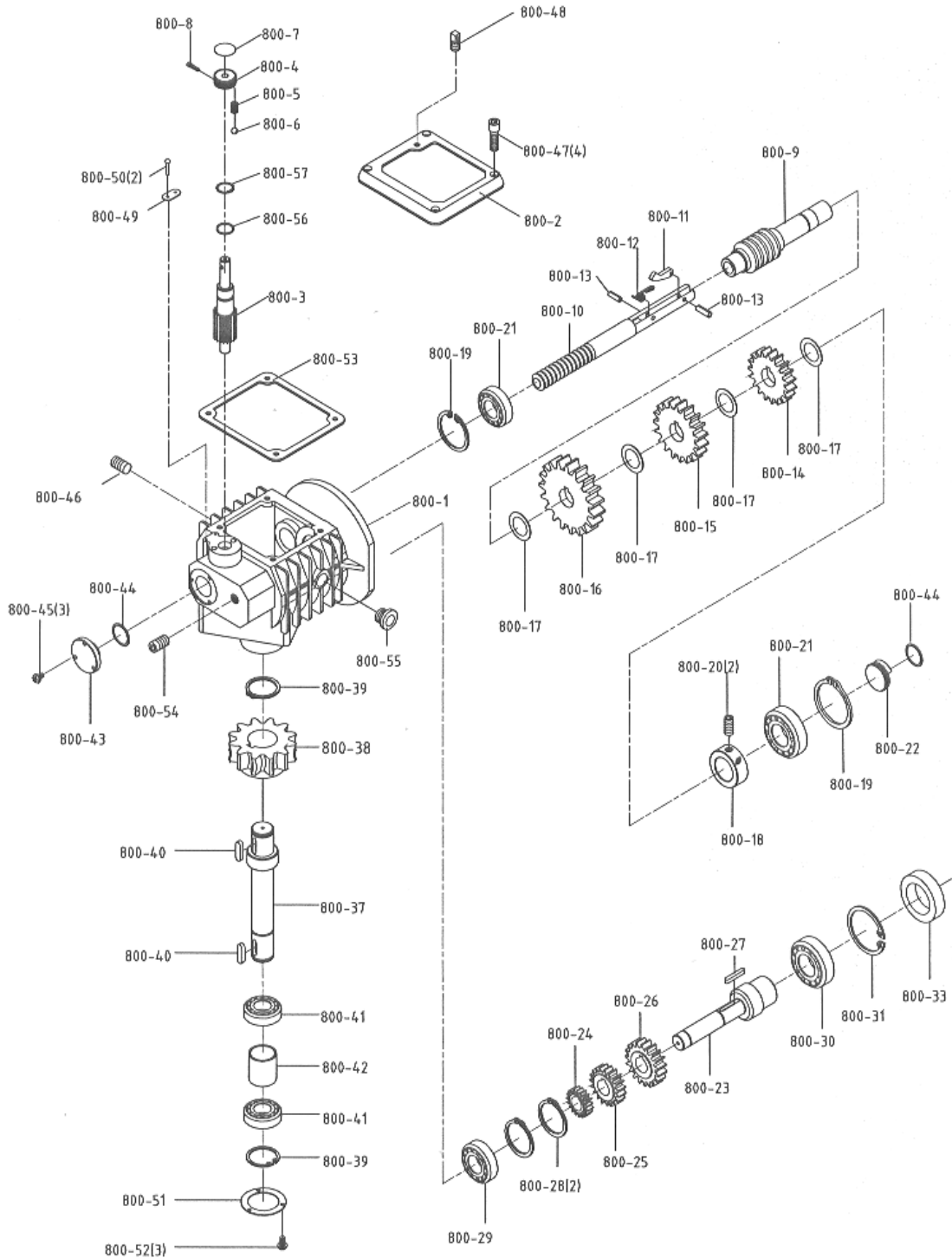


244A

Parts list for the HVBS-912 Gear Box Assembly Old Version

Index No.	Part No.	Description	Size	Qty.
244.....	HVBS912-244.....	Gear Box Assembly (Include #244A ~ 245A and 262, 262-1).....		1
244A ...	HVBS912-244A.....	Gear Box Assembly (#244-1 ~ 244-14).....		1
	HVBS912-244RF	Supplier version of the Gear Box Assembly (#14110531 before).....		1
244-1...	HVBS912-244-1.....	Gear Box.....		1
244-2...	HVBS912-244-2.....	Transmission Shaft.....		1
244-3...	HVBS912-244-3.....	Bushing.....		1
244-4...	HVBS912-244-4.....	Bushing.....		1
244-5...	HVBS912-244-5.....	Bearing	6205LLU	3
244-7...	HVBS912-244-7.....	C-Retainer Ring	S25	1
244-6...	HVBS912-244-6.....	Key	6x6x20L	2
244-8...	HVBS912-244-8.....	Gear Box Gasket.....		1
244-9...	HVBS912-244-9.....	Gear Box Cover		1
244-10.	HVBS912-244-10.....	Cross Socket Hex Head Screw.....	1/4"x5/8"L.....	4
244-11.	HVBS912-244-11.....	Vent Plug	M8xP1.....	1
244-12.	HVBS912-244-12.....	Bearing Cover		1
244-13.	HVBS912-244-13.....	Cross Round Head Screw	3/16"x3/8"L.....	3
244-14.	HVBS912-244-14.....	Worm Gear		1
245A ...	HVBS912-245A.....	Worm Gear Shaft Assembly (#245-1 ~ 245-9)		1
245-1...	HVBS912-245-1.....	Worm Shaft.....		1
245-2...	HVBS912-245-2.....	Bearing Bushing.....		1
245-3...	HVBS912-245-3.....	Bearing	6003LLU	2
245-4...	HVBS912-245-4.....	Lock Nut.....	1/2"-12.....	1
245-5...	HVBS912-245-5.....	Key	5x5x30L	1
245-7...	HVBS912-245-7.....	Flat Washer.....	1/2".....	1
245-8...	HVBS912-245-8.....	Special Nut.....	M42xP2.....	1
245-9...	HVBS912-245-9.....	Bushing.....		1
262.....	HVBS912-262.....	Spindle Pulley		1
262-1...	TS-0267042.....	Socket Set Screw.....	1/4"x3/8"L.....	2

Parts List for the HVBS-912G Gear Box Assembly



Parts List for the HVBS-912G Gear Box Assembly

Index No.	Part No.	Description	Size	Qty
	HBS814GH-800	Gear Box Assembly		1
800-1	HBS814GH-800-1	Gear Box Enclosure		1
800-2	HBS814GH-800-2	Gear Box Cover		1
800-3	HBS814GH-800-3	Speed-Changing Gear Shaft		1
800-4	HBS814GH-800-4	Speed Lever		1
800-5	HBS814GH-800-5	Spring		1
800-6	SB-8MM	Steel Ball	8	1
800-7	HBS814GH-800-7	Speed Indicator Dial		1
800-8	TS-1502071	Socket Head Cap Screw	M5-0.8 x 28L	1
800-9	HBS814GH-800-9	Worm Shaft		1
800-10	HBS814GH-800-10	Speed-Changing Rod		1
800-11	HBS814GH-800-11	Speed-Changing Key		1
800-12	HBS814GH-800-12	Torsion Spring		1
800-13	HBS814GH-800-13	Pin	3 x 10L	2
800-14	HBS814GH-800-14	Gear		1
800-15	HBS814GH-800-15	Gear		1
800-16	HBS814GH-800-16	Gear		1
800-17	HBS814GH-800-17	Washer		4
800-18	HBS814GH-800-18	Bushing Bracket		1
800-19	PWBS14-123	C-Retainer Ring	R35	2
800-20	TS-1523011	Socket Set Screw	M6-1 x 6L	2
800-21	HBS814GH-800-29	Bearing	6003LLB	2
800-22	HBS814GH-800-22	Cover		1
800-23	HBS814GH-800-23	Gear Shaft		1
800-24	HBS814GH-800-24	Gear		1
800-25	HBS814GH-800-25	Gear		1
800-26	HBS814GH-800-26	Gear		1
800-27	6291479	Key	5 x 5 x 32L	1
800-28	5513018	C-Retainer Ring	S17	2
800-29	HBS814GH-800-29	Bearing	6003LLB	1
800-30	HBS814GH-800-30	Bearing	6007LLB	1
800-31	HBS814GH-800-31	C-Retainer Ring	R62	1
800-33	HBS814GH-800-33	Oil Seal	62 x 35 x 8	1
800-37	HBS814GH-800-37	Drive Gear Shaft		1
800-38	HBS814GH-800-38	Worm Gear		1
800-39	5519933	C-Retainer Ring	S25	2
800-40	1020A-292	Key	6 x 6 x 20L	2
800-41	HBS814GH-800-41	Bearing	60205LLB	2
800-42	HBS814GH-800-42	Bearing Spacer		1
800-43	HBS814GH-800-43	Cover		1
800-44	HBS814GH-800-44	O-Ring	35 x 29 x 3	2
800-45	TS-1533042	Cross Round Head Screw	M5-0.8 x 13L	3
800-46	HBS814GH-800-46	Plug	PT3/8"	1
800-47	TS-1503051	Socket Head Cap Screw	M6-1 x 20L	4
800-48	HBS814GH-800-48	Vent Plug		1
800-49	HBS814GH-800-49	Scale		1
800-50	HBS814GH-800-50	Rivet	2 x 4	2
800-51	HBS814GH-800-51	Bearing Cover		1
800-52	TS-1533032	Cross Round Head Screw	M5-0.8 x 10L	3
800-53	HBS814GH-800-53	Gear Box Gasket		1
800-54	HBS814GH-800-54	Plug	PT1/4"	1
800-55	HBS814GH-800-55	Oil level gauge	19	1
800-56	HBS814GH-800-56	O- Ring	15.8 x 2.4b	1
800-57	HBS814GH-800-57	C-Retainer Ring	R20	1

HVBS-912..... 50000435T3~400V, 50Hz
HVBS-912G... ITA912G.....3~400V, 50Hz

	colour of strands	Litzenfarben	couleur des cordons
BK	black	schwarz	noir
WH	white	weiß	blanc
BU	blue	blau	bleu
RD	red	rot	rouge
BN	brown	braun	brun
GNYE	green-yellow	grün-gelb	vert-jaune

	meaning of symbol	Bedeutung der Zeichen	interprétation
M1	Main motor	Hauptmotor	Moteur principal
M2	Pump motor	Kühlmittelmotor	Moteur pompe
S4	Pump motor switch	Kühlmittel-Schalter	Bouton pompe

